

Under Development

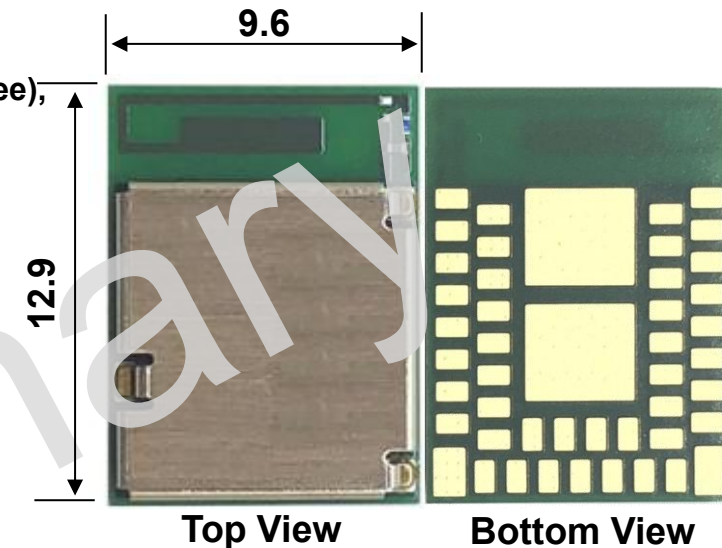
Features

- Frequency: 2402 to 2480 MHz with +7dBm Output power
- Single power supply: 1.7 - 3.6V
- Single Mode Bluetooth Core 6.0 / 802.15.4 (e.g. Matter, Thread, Zigbee), 4Mbps data rate option for 2.4 GHz proprietary.
- Bluetooth Function 2M / 1M / 500k / 125kbps / Channel Sounding
- Chip: nRF54L10 (Nordic)
- Integrated System Clock / Sleep Clock, LC for DC/DC
- Integrated high performance PCB antenna
- Processors: ARM® Cortex-M33 with TrustZone® (128MHz)
- RISC-V coprocessor
- Memory: 1.0 MB non-volatile memory, 192 KB RAM
- Designed for PSA Certified Level 3 IoT security standard
- Peripherals: Global RTC, 14-bit ADC, and a software-defined peripheral enabled by a RISC-V coprocessor etc.
- GPIO: 29 pins
- Outline: 9.6 x 12.9 x 2.0 mm MAX
- Operating Temperature range: -40 to 105 deg-C
- Bluetooth logo and Japan, FCC, ISED qualification
- ETSI EN 300 328 v2.2.2 Conducted Test Report Available
- RoHS compliant / Complete Lead Free

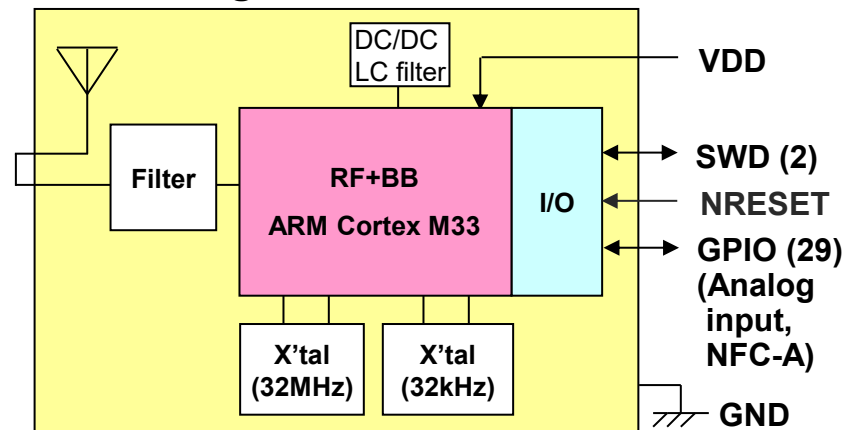
Applications

- IoT Device / Industrial Equipment
- Smart Home and Matter / Lighting / Smart Key
- PC Accessories
- Medical Devices

Outline



Block Diagram



All specifications are subject to change without notice.

The *Bluetooth*® word mark and logos are owned by the *Bluetooth* SIG, Inc. and any use of such marks by KAGA FEI CO., LTD. is under license.